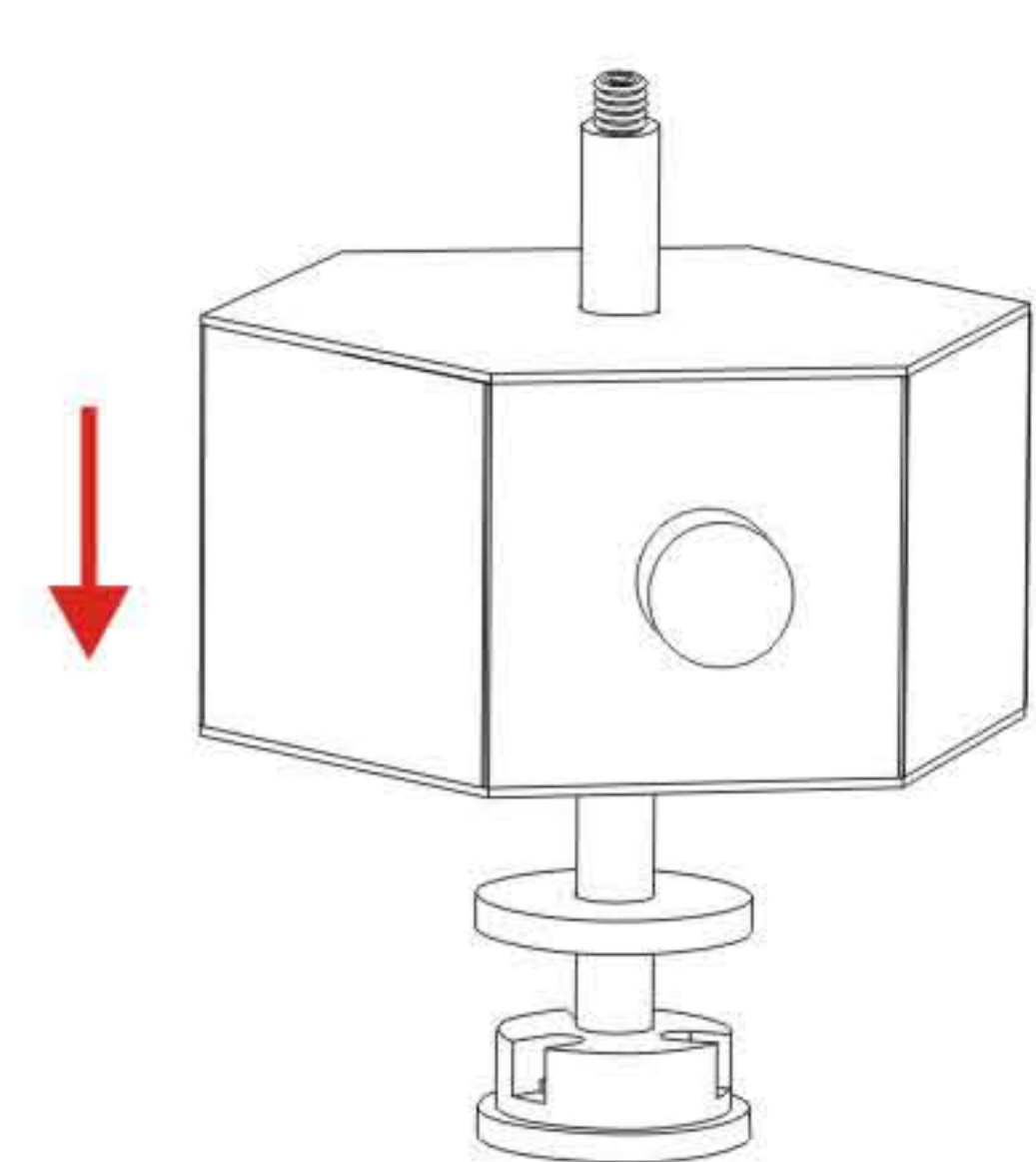
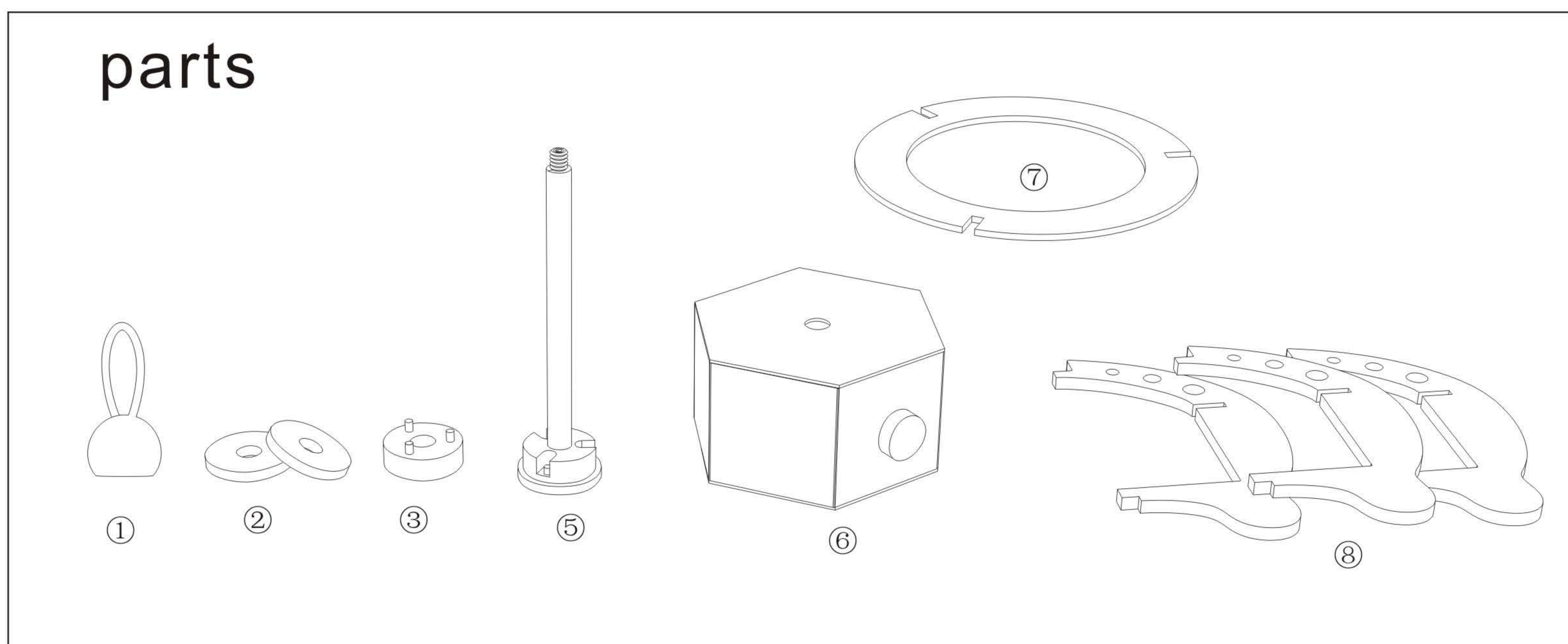
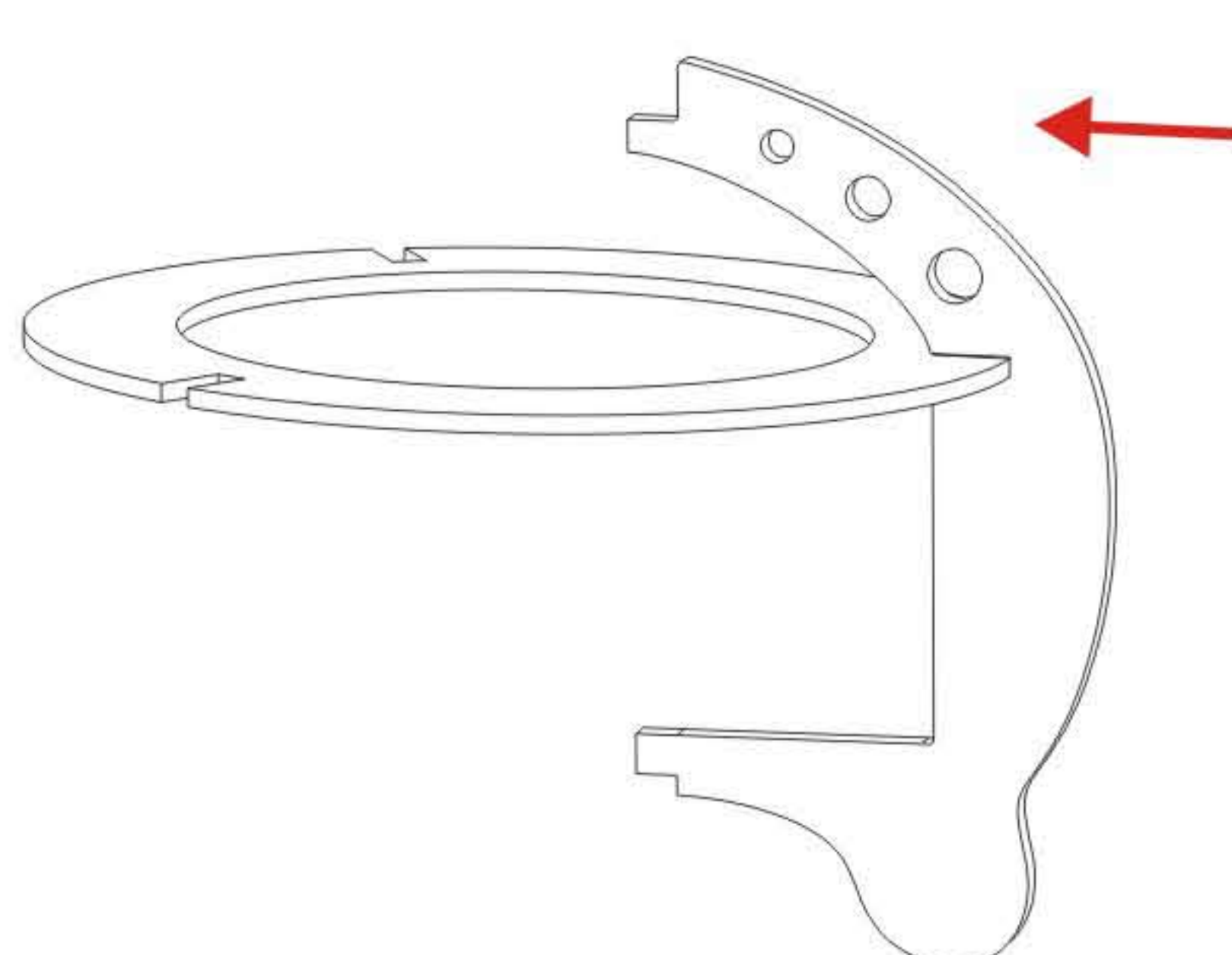


SPACESHIP PLAYSET ASSEMBLY INSTRUCTIONS

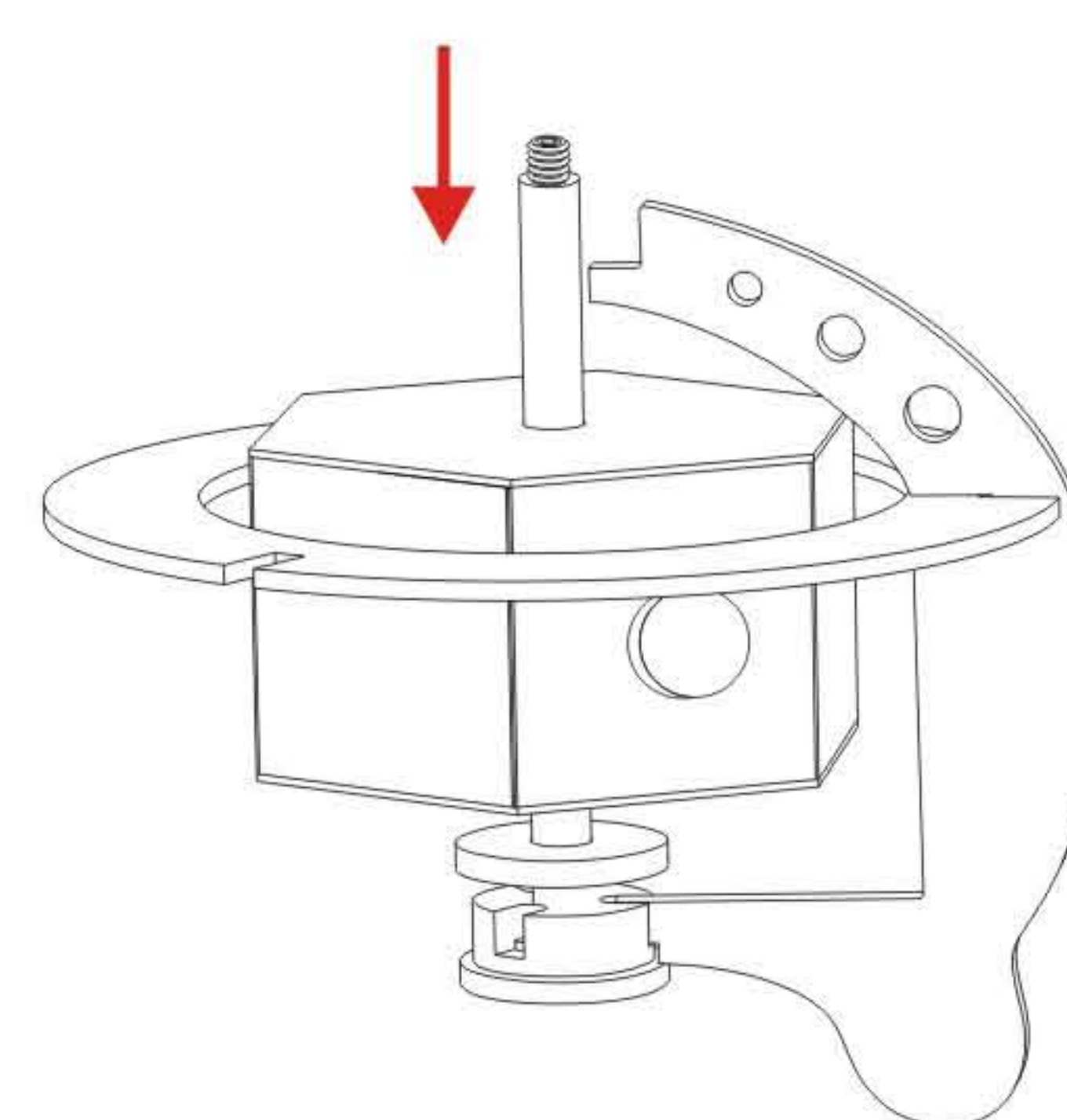
ADULT ASSISTANCE REQUIRED



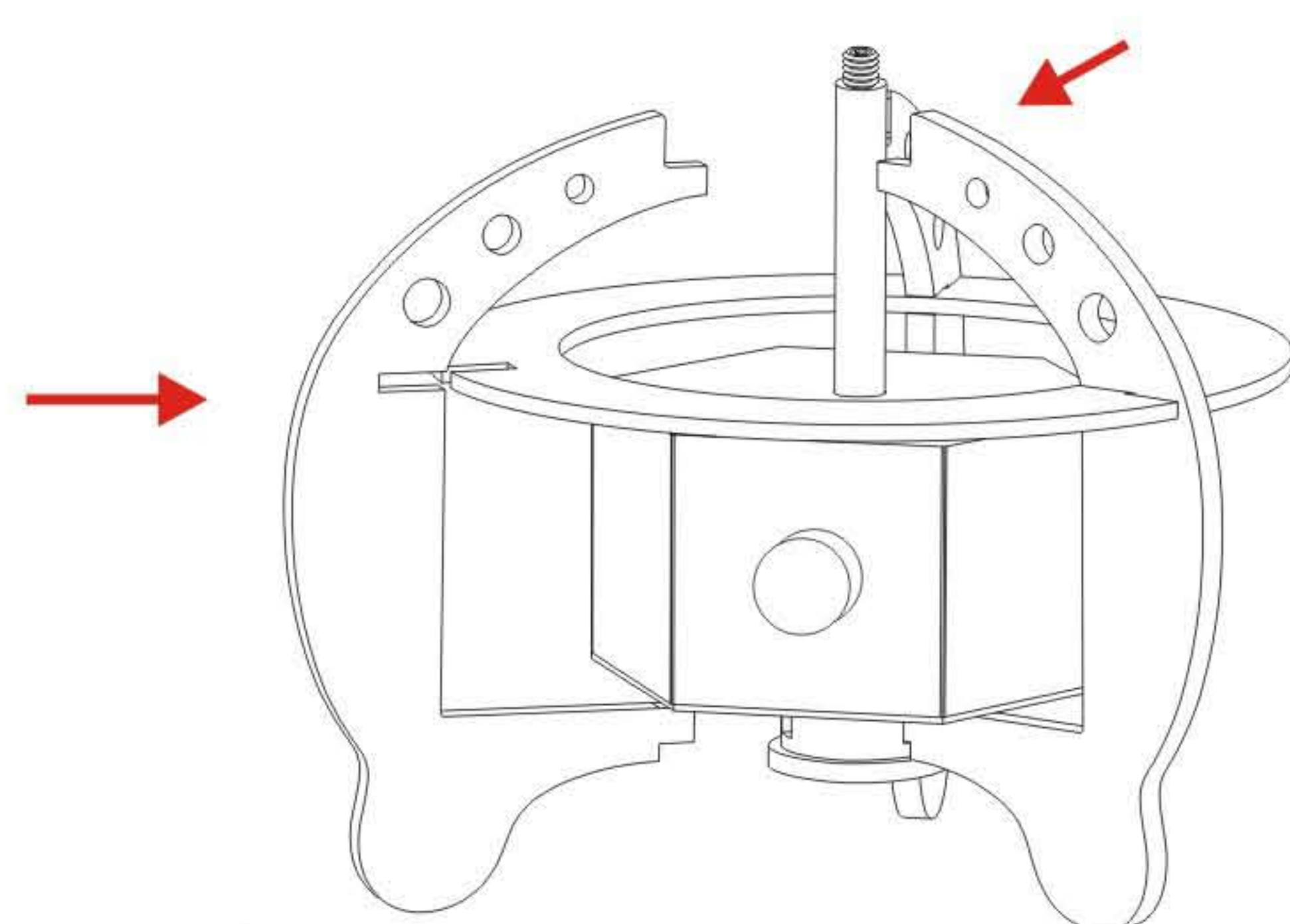
step 1



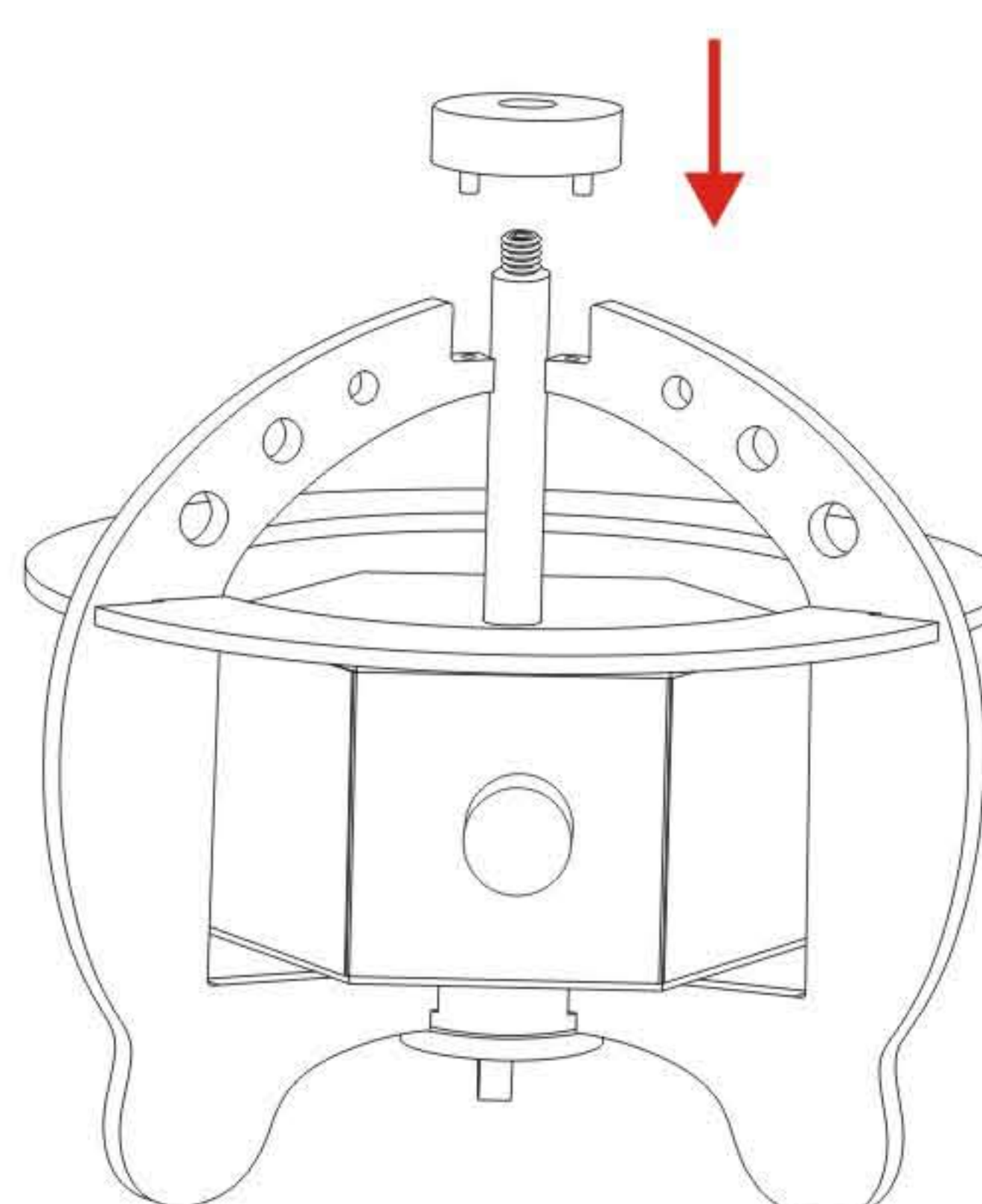
step 2



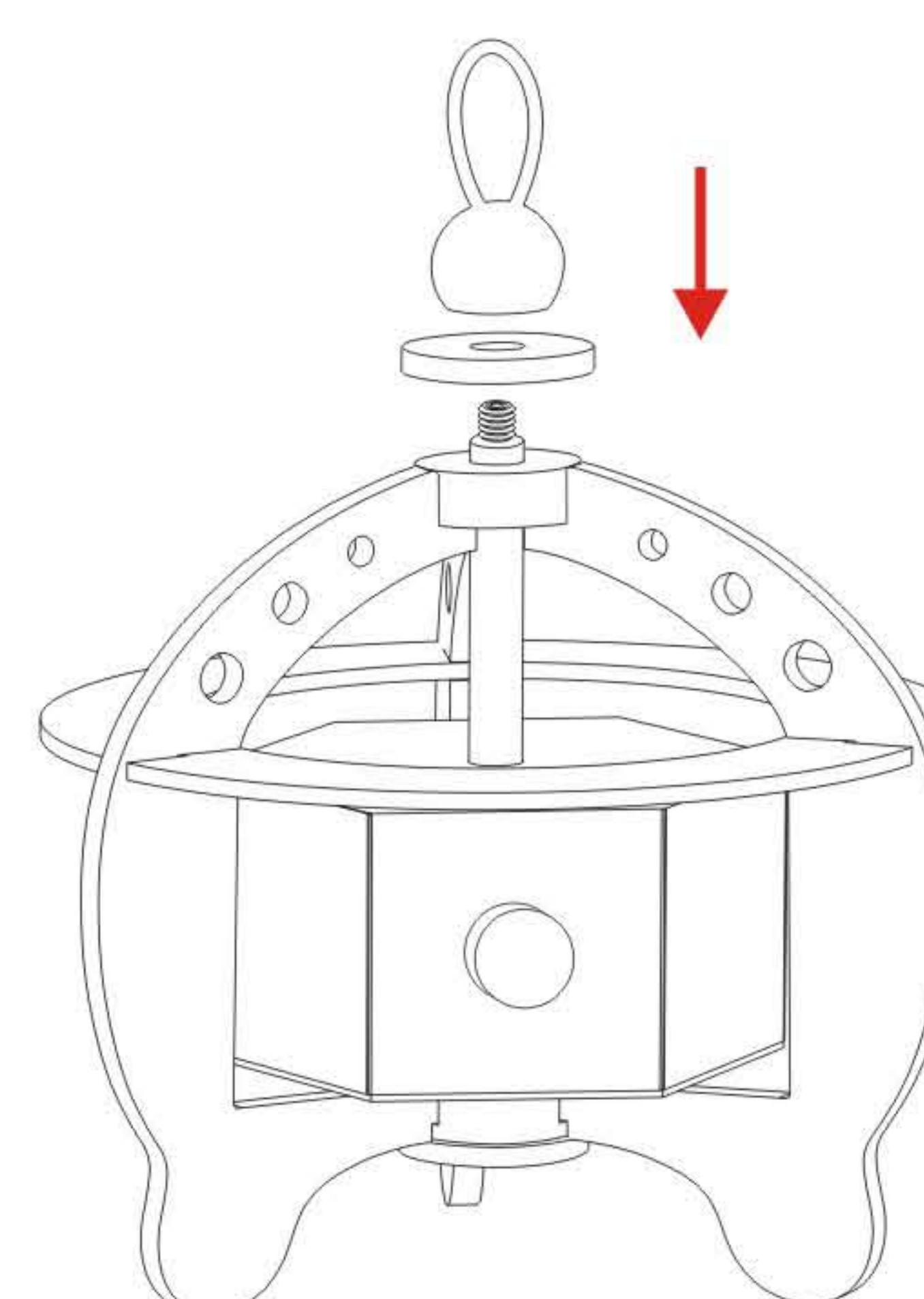
step 3



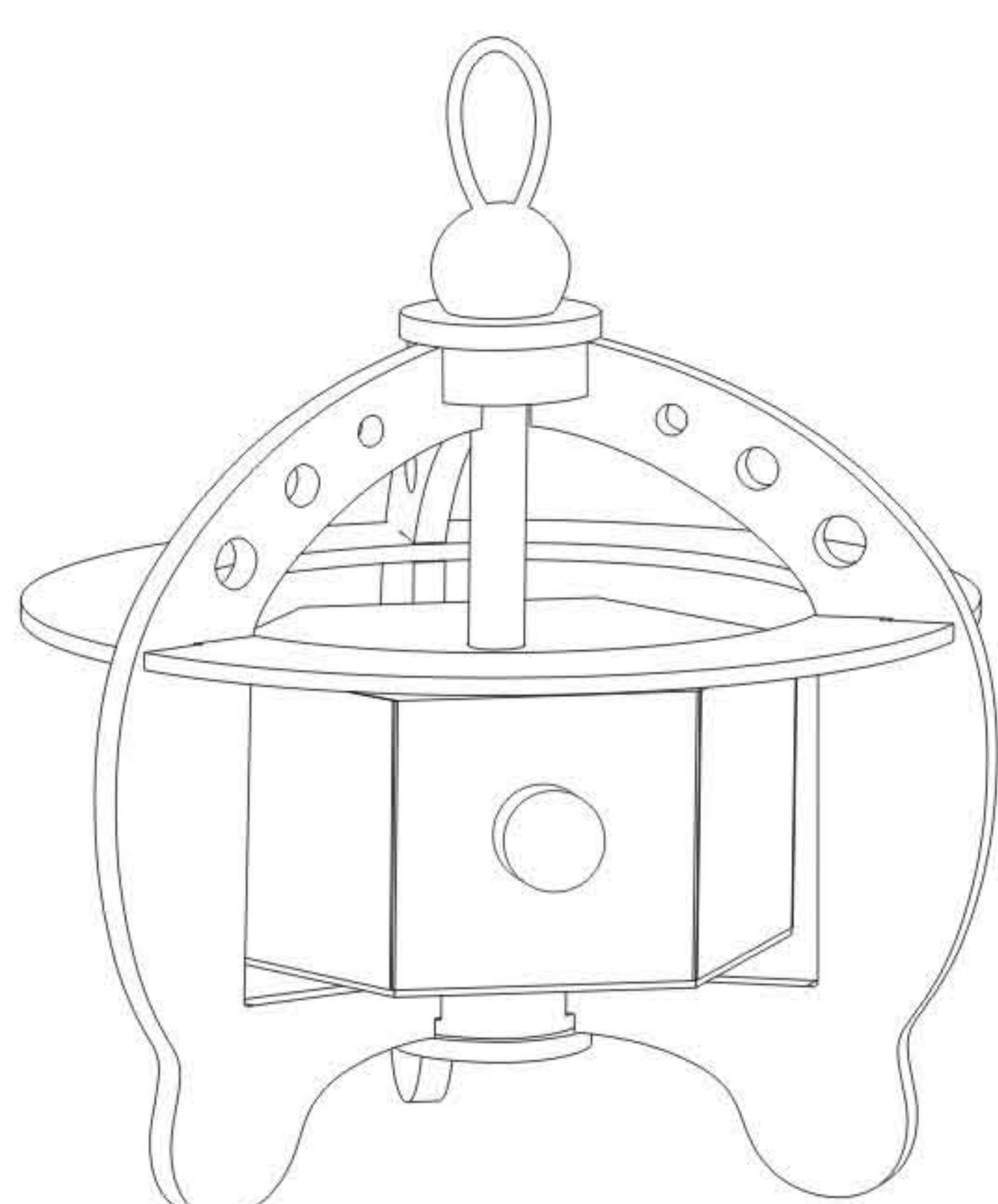
step 4



step 5



step 6



Tips: Adult assistance required. Assembly needs two people. One person can hold and steady axle as in step 1 through out the assembly process. Second person can help to install large ring and side panel as step 2 then step 3 then step 4. Secure with top wooden ring by matching each insert as step 5. Finish with step 6 by screwing wooden bead on top.